

Oster™

For product questions contact:

Jarden Customer Service
USA : 1.800.334.0759
Canada : 1.800.667.8623
www.oster.com

©2010 Sunbeam Products, Inc. doing business as
Jarden Consumer Solutions. All rights reserved.
Distributed by Sunbeam Products, Inc. doing business as
Jarden Consumer Solutions, Boca Raton, Florida 33431.

Para preguntas sobre los productos llame:

Jarden Customer Service
EE.UU.: 1.800.334.0759
www.oster.com

©2010 Sunbeam Products, Inc. operando bajo el nombre de Jarden
Consumer Solutions. Todos los derechos reservados. Distribuido
por Sunbeam Products, Inc. operando bajo el nombre de Jarden
Consumer Solutions, Boca Raton, Florida 33431.

SPR-111010-660

Printed in China

P.N. 147869
Impreso en China

Oster™

RICE COOKER
OLLA ARROCERA

User Guide/ Guía del Usuario:



Safety
Seguridad



How to use
Cómo usar



Cleaning
Cuidado y Limpieza



Warranty
Garantía

www.oster.com

IMPORTANT SAFEGUARDS

When using electrical appliances, basic safety precautions should always be followed, including the following:

1. **Read all instructions before using.**
2. Do not touch hot surfaces. Use pot holders when removing cover or handling hot containers. Use handles or knobs.
3. To protect against electrical shock, do not immerse cord, plug or heating unit in water or other liquid.
4. Close supervision is necessary when any appliance is used by or near children.
5. Unplug from outlet when not in use and before cleaning. Allow to cool before putting on or taking off parts, and before cleaning.
6. Do not operate any appliance with a damaged cord or plug or after the appliance malfunctions, or has been damaged in any manner. Return appliance to Jarden Customer Service (see warranty) for examination, repair or adjustment.
7. The use of accessory attachments is not recommended and may cause injuries.
8. Do not use outdoors.
9. Do not let cord hang over the edge of the table or counter, or touch heated surfaces.
10. Do not place on or near a hot gas or electric burner, or in a heated oven.
11. Extreme caution must be used when moving any appliance containing hot liquids.
12. To disconnect, remove plug from wall outlet.
13. Do not use this appliance for anything other than intended use.
14. To reduce the risk of electrical shock, cook only in removable pot.
15. Do not pour liquid into Heating Body.

THIS UNIT IS INTENDED FOR HOUSEHOLD USE ONLY

This appliance is for HOUSEHOLD USE ONLY. No user-serviceable parts inside. Power Unit never needs lubrication. Do not attempt to service this product. A short power

supply cord is provided to reduce the risk resulting from becoming entangled in or tripping over a longer cord.

DO NOT ATTEMPT TO DEFEAT THIS SAFETY FEATURE.

EXTENSION CORD USE

A short power supply cord is provided to reduce the risk resulting from becoming entangled in or tripping over a longer cord. An extension cord may be used if care is exercised in its use. If an extension cord is used the marked electrical rating of the extension cord should be at least as great as the electrical rating of the Rice Cooker. The cord should be arranged so that it will not drape over the countertop or table top where it can be pulled on by children or tripped over unintentionally. Do not immerse base in water or other liquids.

POLARIZED PLUG

This appliance has a polarized plug (one blade is wider than the other). To reduce the risk of electric shock, this plug is intended to fit into a polarized outlet only one way. If the plug does not fit fully into the outlet, reverse the plug. If it still does not fit, contact a qualified electrician. Do not attempt to modify the plug in any way. If the plug fits loosely into the AC outlet or if the AC outlet feels warm do not use that outlet.

SAVE THESE INSTRUCTIONS

NO LIABILITY CAN BE ACCEPTED FOR ANY DAMAGE CAUSED BY NON-COMPLIANCE WITH THESE INSTRUCTIONS OR ANY OTHER IMPROPER USE OR MISHANDLING.

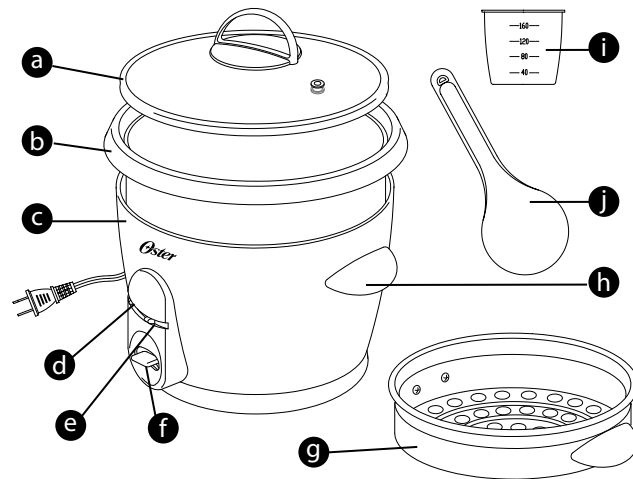


ADDITIONAL IMPORTANT SAFEGUARDS

- **CAUTION:** this appliance generates heat and escaping steam during use. Proper precautions must be taken to prevent risk of burns, fires or other damage to persons or property.
- All users of this appliance must read and understand this owner's manual before operating or cleaning this appliance.
- The cord of this appliance should be plugged into a 120 Volt AC electrical outlet only.
- When using this appliance, provide adequate air space above and on all sides for air circulation. Do not allow this appliance to touch curtains, wall coverings, clothing, dishtowels or other flammable materials during use.
- Do not leave appliance unattended during use.
- This appliance generates steam. Do not operate uncovered.
- If this appliance begins to malfunction during use, immediately unplug the cord. Do not use or attempt to repair the malfunctioning appliance. Do not use the inner pot or lid if cracked or chipped.
- This appliance is for household use only.
- Unplug the rice cooker when not in use.
- Use the rice cooker on a hard, flat surface. Do not place near heat, an open flame or on a soft surface (such as carpeting). Avoid placing it where it may tip over during use. Dropping the rice cooker may cause it to malfunction.
- Avoid electrical shock by unplugging appliance before washing or adding water.
- To avoid burns, stay clear of the steam vent during cooking. Also, allow the rice cooker to cool completely before touching or cleaning the lid, inner pot or heating plate.
- Never use the inner pot on a gas or electric cooktop or an open flame.
- Do not leave the rice ladle or measuring cup in the inner pot while unit is on and in use.
- Please use measuring cup that was provided in the rice cooker. A standard measuring cup should not be used.



LEARNING ABOUT YOUR RICE COOKER



- | | |
|--------------------------|---|
| a Glass Lid | g Steaming Tray
<i>(Select Models only)</i> |
| b Inner Pot | h Handles |
| c Heating Body | i Oster™ Measuring Cup (5.33 oz.) |
| d Keep Warm Light | j Rice Ladle |
| e Cook Light | |
| f Cook Switch | |





HOW TO:

BEFORE THE FIRST USE

- 1 Remove all packaging materials before using.
- 2 Wash LID, INNER POT, RICE LADLE and MEASURING CUP in warm, soapy water. Rinse and dry thoroughly. See Care and Cleaning.

DO NOT IMMERS THE HEATING UNIT OF YOUR RICE COOKER IN WATER OR OTHER LIQUID.

USING YOUR RICE COOKER

NOTE: Measuring your rice is of extreme importance. Please do not discard the Oster™ MEASURING CUP included with this unit. This is a “rice cooker” MEASURING CUP, not a standard U.S. MEASURING CUP. One rice cup of the Oster™ MEASURING CUP included with this unit is equal to 5.33 ounces of uncooked rice. The rice cooker is capable of cooking up to 5 full “rice cooker” Oster™ measuring cups of uncooked rice, or 10 (5.33oz) Oster™ cups of cooked rice. Do not use instant rice with this unit.

- 1 Measure the amount of rice you would like to cook.
- 2 Wash the measured rice in a separate bowl until water is clear.
- 3 Place rice in the INNER POT and add the corresponding amount of water. For example, if you are making 5 Oster™ cups of uncooked rice, add water after adding rice to the “5” mark on the INNER BOWL.

NOTE: Brown rice will take longer to cook than white rice.

- 4 Set the INNER POT into the rice cooker. Make sure that the INNER POT is in direct contact with the HEATING BASE by turning it slightly from left to right until it properly fits onto the HEATING BASE. **NOTE:** Make sure the outside of the INNER POT is completely dry before placing onto the heating plate.
- 5 Cover with the LID. **WARNING:** Do not operate this appliance uncovered—steam is generated during use that could cause burns or other serious injury.
- 6 Plug the cord into a 120 Volt AC electrical outlet. Switch the rice cooker ON by pushing the button down. Make sure the COOK indicator light is illuminated. Steaming will begin shortly.
- 7 The switch will pop up and the KEEP WARM indicator light will come on when all the water in the RICE COOKER has evaporated. **NOTE:** You

may need to add more water and set the rice cooker to COOK more than once depending on your own personal tastes.

- 8 After cooking, the KEEP WARM indicator light will illuminate. For best results, let the rice stand for 10-15 minutes of steaming without removing the LID. Carefully open the LID, taking care to avoid escaping steam. Use the RICE LADLE, or other long handled utensil, to mix the rice well to allow steam to escape.

Do Not Use Metal Utensils.

CAUTION: Steam will escape. Do not touch the INNER POT or heating unit until they have cooled.

- 9 Allow the appliance to cool completely and unplug before cleaning.
- 10 Disconnect the plug from the wall outlet when not in use.

COOKING HINTS

- Rinse rice - Bran gives an unpleasant smell to cooked rice. Be sure to rinse rice thoroughly. Rinsing with water effectively removes bran quickly and thoroughly.

NOTE: Some rice suppliers suggest not rinsing rice because vitamins may be lost.

- After use, wash the INNER POT and LID in warm, soapy water.
- Rinse thoroughly and dry.
- Do not keep the rice cooker in operation:
 - When there is only a small amount of rice left in the POT.
 - When rice ladle is inside the rice cooker.
 - To warm up cold rice.

* DO NOT let water in the INNER POT boil dry.

How To Use Your Steaming Basket (included with select models only)

- 1 Clean and prepare your food or vegetables.
- 2 Place the INNER POT in the BASE. The length of steaming time is subject to your own personal tastes: depending if you prefer al denté (crunchy) or more well done steamed vegetables.
- 3 Measure appropriate amount of water and add to INNER POT. **NOTE:** You are able to steam rice and vegetables/food at the same time with the STEAMING BASKET resting on the INNER POT.
- 4 Place the STEAMING BASKET on the rim of the INNER POT.
- 5 Add vegetables or food and put the LID onto the appliance. Switch to COOK position for the appropriate time as shown in the chart on page 8.
- 6 Disconnect the plug from the wall outlet.





CARE & CLEANING

This appliance should be cleaned after every use.

- 1 Unplug the rice cooker when not in use and before cleaning. Never immerse HEATING UNIT, cord or plug in water or any other liquids. Allow the RICE COOKER to cool completely before cleaning.
NOTE: Use the RICE LADLE or wooden utensil to stir and remove food from the INNER POT. DO NOT use metal utensils.
- 2 To clean the HEATING UNIT, lightly wipe the exterior with a damp cloth or sponge. Dry thoroughly with a soft cloth.
- 3 The INNER POT is coated with a non-stick coating to make clean up easier. To clean, remove the INNER POT from the rice cooker and fill with hot water from the tap. Let it sit for a while and then wash with hot soapy water. Rinse thoroughly and dry.
- 4 The INNER POT, LID, RICE LADLE and MEASURING CUP are dishwasher safe.
- 5 Make sure that the grains of rice do not stick to the HEATING PLATE in the bottom of the HEATING BASE. If this occurs, remove immediately. If grains of rice are stuck onto the heating plate, a non-abrasive pad can be used to remove it. Polish the area for good contact between the HEATING PLATE, and the bottom of the INNER POT.
NOTE: Do not use abrasive cleaners, scouring pads or steel wool to clean the RICE COOKER.
- 6 Do not use bleach, vinegar or other harsh chemicals to clean the RICE COOKER.

Questions or comments? Please visit us at www.oster.com or call 800-334-0759.

VEGETABLE	COOKING TIME
ASPARAGUS	8 - 10 MIN
BEAN SPROUTS	3 - 4 MIN
BEANS: GREEN, WAX, FRENCH CUT	8 - 10 MIN
BROCCOLI	11 - 13 MIN
BRUSSELS SPROUTS	11 - 13 MIN
CABBAGE, SHREDDED	6 - 8 MIN
CABBAGE, WEDGES	14 - 16 MIN
CARROTS	8 - 10 MIN
CAULIFLOWER	11 - 13 MIN
CELERY	8 - 12 MIN
COLLARD GREENS, SPINACH	6 - 11 MIN
MUSHROOMS (FRESH, SLICED)	3 - 4 MIN
PEA PODS	4 - 6 MIN
SQUASH (ACORN, BUTTERNUT)	13 - 16 MIN
ZUCCHINI	10 - 12 MIN

*Altitude affects the temperature at which water boils and thus the cooking time. It's especially true at high altitudes where longer cooking times are necessary. We have outlined a general guide to follow. Test for desired consistency when cooking times indicated have been reached. As you cook with this appliance, adapt times and measurements to your own personal tastes.

How To Use Your Steaming Basket While Cooking Rice

- 1 Follow steps 1-4 under the HOW TO USE YOUR RICE COOKER.
- 2 Place the STEAMING BASKET on the rim of the INNER POT.
- 3 Add food to the STEAMING BASKET and put the LID on the appliance. Switch to COOK position for the appropriate time as shown in the chart. **NOTE:** Use the STEAMING TIME Guide to determine when to add food to the STEAMING BASKET. Cooking 10 Oster® MEASURING CUPS of finished rice takes approximately 35 minutes. Most vegetables can be added about 10 minutes before rice has finished cooking. Rice cooking times can vary depending on the type of rice being cooked and preferred rice texture. Adjust steaming time as desired.
- 4 Disconnect the plug from the wall outlet.





1 Year Limited Warranty

Sunbeam Products, Inc. doing business as Jarden Consumer Solutions or if in Canada, Sunbeam Corporation (Canada) Limited doing business as Jarden Consumer Solutions (collectively "JCS") warrants that for a period of one year from the date of purchase, this product will be free from defects in material and workmanship. JCS, at its option, will repair or replace this product or any component of the product found to be defective during the warranty period. Replacement will be made with a new or remanufactured product or component. If the product is no longer available, replacement may be made with a similar product of equal or greater value. This is your exclusive warranty. Do NOT attempt to repair or adjust any electrical or mechanical functions on this product. Doing so will void this warranty.

This warranty is valid for the original retail purchaser from the date of initial retail purchase and is not transferable. Keep the original sales receipt. Proof of purchase is required to obtain warranty performance. JCS dealers, service centers, or retail stores selling JCS products do not have the right to alter, modify or any way change the terms and conditions of this warranty.

This warranty does not cover normal wear of parts or damage resulting from any of the following: negligent use or misuse of the product, use on improper voltage or current, use contrary to the operating instructions, disassembly, repair or alteration by anyone other than JCS or an authorized JCS service center. Further, the warranty does not cover: Acts of God, such as fire, flood, hurricanes and tornadoes.

What are the limits on JCS Liability?

JCS shall not be liable for any incidental or consequential damages caused by the breach of any express, implied or statutory warranty or condition.

Except to the extent prohibited by applicable law, any implied warranty or condition of merchantability or fitness for a particular purpose is limited in duration to the duration of the above warranty.

JCS disclaims all other warranties, conditions or representations, express, implied, statutory or otherwise.

JCS shall not be liable for any damages of any kind resulting from the purchase, use or misuse of, or inability to use the product including incidental, special, consequential or similar damages or loss of profits, or for any breach of contract, fundamental or otherwise, or for any claim brought against purchaser by any other party.

Some provinces, states or jurisdictions do not allow the exclusion or limitation of incidental or consequential damages or limitations on how long an implied warranty lasts, so the above limitations or exclusion may not apply to you.

This warranty gives you specific legal rights, and you may also have other rights that vary from province to province, state to state or jurisdiction to jurisdiction.

How to Obtain Warranty Service

In the U.S.A.

If you have any question regarding this warranty or would like to obtain warranty service, please call 1-800-334-0759 and a convenient service center address will be provided to you.

In Canada

If you have any question regarding this warranty or would like to obtain warranty service, please call 1-800-667-8623 and a convenient service center address will be provided to you.

In the U.S.A., this warranty is offered by Sunbeam Products, Inc. doing business as Jarden Consumer Solutions located in Boca Raton, Florida 33431. In Canada, this warranty is offered by Sunbeam Corporation (Canada) Limited doing business as Jarden Consumer Solutions, located at 20 B Hereford Street, Brampton, Ontario L6Y 0M1. If you have any other problem or claim in connection with this product, please write our Customer Service Department.

PLEASE DO NOT RETURN THIS PRODUCT TO ANY OF THESE ADDRESSES OR TO THE PLACE OF PURCHASE.



PRECAUCIONES IMPORTANTES

Cuando use aparatos eléctricos, siempre debe seguir precauciones básicas de seguridad, incluyendo las siguientes:

1. **Lea Todas Las Instrucciones Antes De Usar.**
2. No toque las superficies calientes. Use agarradores de ollas cuando remueva la tapa o cuando manipule recipientes calientes. Use las asideras o perillas.
3. Para protegerse del riesgo de un choque eléctrico, no sumerja el cordón, el enchufe o la unidad de calentamiento en agua u otro líquido.
4. Supervisión estricta es necesaria cuando este aparato sea usado por o cerca de niños.
5. Desenchufe del tomacorriente cuando no esté en uso y antes de limpiar el aparato. Deje enfriar antes de poner o remover partes, y antes de limpiar.
6. No opere ningún aparato eléctrico con el cordón o enchufe dañado, o después de que el aparato haya tenido una falla o haya sido dañado de alguna manera. Devuelva el aparato al Servicio al Cliente de Jarden (vea Garantía) para evaluación, reparación o ajuste mecánico.
7. El uso de accesorios no recomendados puede causar lesiones.
8. No use al aire libre.
9. No deje que el cordón cuelgue del borde de la mesa o tablero de cocina, o que toque superficies calientes.
10. No coloque sobre o cerca de una hornilla de gas o eléctrica, o dentro de un horno caliente.
11. Use precaución extrema cuando mueva cualquier aparato que contenga líquidos calientes.
12. Para desconectar, remueva el enchufe del tomacorriente de pared.
13. No use este aparato para otro uso que no sea el recomendado.
14. Para reducir el riesgo de shock eléctrico, cocine solamente en la olla removible.
15. No vierta líquidos en Olla Arrocera.

**ESTA UNIDAD ES PARA USO
DOMESTICO SOLAMENTE.**

Este aparato es para uso DOMÉSTICO SOLAMENTE. No contiene partes que puedan ser reparadas por el usuario. La unidad de energía nunca necesita lubricación. No intente reparar este producto. Se provee un cable eléctrico corto para reducir el riesgo que puede ser causado por el enredo o tropiezo con un cable largo.

USO DE UNA EXTENSIÓN DEL CORDÓN

Puede usar una extensión de cable si se usa con la debida precaución. Si usa una extensión de cable la clasificación eléctrica marcada en la extensión de cable debe ser por lo menos la misma que la clasificación eléctrica de la Olla Arrocera. El cable debe estar arreglado de forma tal que no cuelgue del borde de la mesa o tablero de cocina donde pueda ser jalado por niños o pueda causar tropiezos accidentalmente. No sumerja la base en agua u otros líquidos. No se aceptará responsabilidad legal por cualquier lesión que sea el resultado de no acatarse a estas instrucciones o cualquier otro uso inadecuado o mal manejo del aparato.

ENCHUFE POLARIZADO

Este aparato tiene un enchufe polarizado (una hoja es mas ancha que la otra). Para reducir el riesgo de choque eléctrico, este enchufe debe entrar en un tomacorriente polarizado de una sola manera. Si el enchufe no entra por completo en el tomacorriente, déle la vuelta. Si aun así no entra, contacte a un electricista calificado. No intente modificar el enchufe de ninguna manera. Si el enchufe entra holgadamente en el tomacorriente AC o si el tomacorriente AC se siente caliente no use ese tomacorriente.

GUARDE ESTAS INSTRUCCIONES

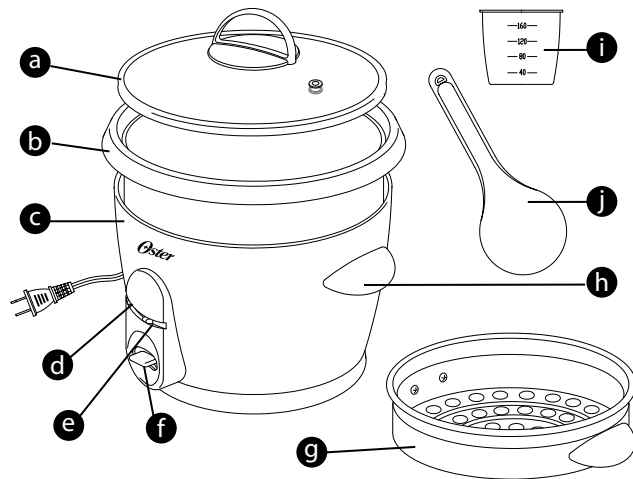


PRECAUCIONES IMPORTANTES ADICIONALES

- **PRECAUCIÓN:** Este aparato genera calor y emite vapor durante su uso. Debe tomar las precauciones adecuadas para prevenir riesgos de quemaduras, fuego u otro daño a su persona o propiedad.
- Todos los usuarios de este aparato deben leer y comprender este Manual del Usuario antes de operar o limpiar este aparato.
- El cordón de este aparato debe ser enchufado en un tomacorriente eléctrico de 120 Voltios AC solamente.
- Cuando use este aparato, mantenga suficiente espacio de aire por encima y por todos los lados para que el aire circule. No permita que este aparato toque cortinas, coberturas de pared, ropa, toallas de platos o cualquier otro material inflamable durante su uso.
- No deje el aparato desatendido durante su uso.
- Este aparato genera vapor. No lo opere sin la cubierta.
- Si este aparato empieza a tener una falla durante su uso, desenchufe el cordón inmediatamente. No use o intente reparar el aparato fallado. No use la Olla Interna o la Tapa si están rajadas o quebradas.
- Este aparato es para uso doméstico solamente.
- Desenchufe la Olla Arrocera cuando no esté en uso.
- Use la Olla Arrocera en una superficie plana y dura. No coloque cerca de algo caliente, una llama de fuego o sobre una superficie suave (como alfombra). Evite colocar donde pueda voltearse durante su uso. Dejar caer la Olla Arrocera puede causar que no funcione.
- Evite un choque eléctrico desenchufando antes de lavar o añadir agua.
- Para evitar quemaduras, manténgase alejado del escape de vapor durante la cocción. Espere que la Olla Arrocera se enfríe completamente antes de tocar o limpiar la Tapa, Olla Interna o Placa de Calentamiento.
- Nunca use la Olla Interna sobre una cocina de gas o eléctrica o sobre una llama de fuego.
- No deje la Cuchara Arrocera o la Taza Medidora en la Olla Interna cuando la unidad esta prendida o en uso.
- Por favor use la Taza Medidora que se provee con la Olla Arrocera. NO SE DEBE USAR una taza medidora estándar.



APRENDER ACERCA DE SU OLLA ARROCERA



- | | |
|-----------------------------------|--|
| a Tapa de vidrio | g Bandeja para cocinar al Vapor (algunos modelos solamente) |
| b Olla interna | h Mangos |
| c Cuerpo de Calentamiento | i Taza Medidora Oster (5.33 onzas) |
| d Luz de mantener caliente | j Cuchara arrocera |
| e Luz de cocción | |
| f Interruptor de cocción | |





COMO:

ANTES DEL PRIMER USO

- 1 Remueva todos los materiales de empaque antes de usar.
- 2 Lave LA TAPA, OLLA INTERNA, CUCHARA ARROCERA y LA TAZA MEDIDORA en agua tibia jabonosa; enjuague y seque completamente. Vea la sección Cuidado y Limpieza.

NO SUMERJA LA UNIDAD DE CALENTAMIENTO DE SU OLLA ARROCERA EN AGUA U OTRO LÍQUIDO.

CÓMO USAR SU OLLA ARROCERA

NOTA: La medida de su arroz es extremadamente importante. Por favor no deseche la Oster™ TAZA MEDIDORA incluida con esta unidad. Esta es una TAZA MEDIDORA para "olla arrocera", no es una TAZA MEDIDORA estándar de los Estados Unidos. 1 Oster™ Taza Medidora de arroz equivale a 5.33 onzas. La olla arrocera es capaz de cocinar hasta 5 tazas medidoras para "olla arrocera" llenas de arroz crudo, o 10 tazas* de arroz cocido. No use arroz instantáneo con esta unidad.

- 1 Mida la cantidad de arroz que quiera cocer.
- 2 Lave la cantidad de arroz medida en un tazón aparte hasta que el agua se vea clara.
- 3 Coloque el arroz en la OLLA INTERNA y añada la cantidad correspondiente de agua. Por ejemplo si está haciendo 5 Oster™ tazas de arroz crudo, añada agua hasta la marca "5" en la OLLA INTERNA. **NOTA:** El arroz integral tomará mas tiempo en cocinar que el arroz blanco.
- 4 Coloque la OLLA INTERNA dentro de la olla arrocera. Asegúrese de que la OLLA INTERNA este en contacto directo con la placa de calentamiento girándola ligeramente de izquierda a derecha hasta que encaje adecuadamente sobre la placa de calentamiento. **NOTA:** Asegúrese de que la parte exterior de la olla interna este completamente seca antes de colocar sobre la placa de calentamiento.
- 5 Cubra con la tapa. **CUIDADO:** No opere este aparato descubierto – el vapor se genera durante el uso y podría causar quemaduras u otras lesiones severas.

*Basado en una taza de 5.33 onzas.



- 6 Enchufe el cordón en un tomacorriente eléctrico de 120 voltios AC. Prenda el interruptor de la olla arrocera a Encendido (ON) empujando el botón hacia abajo. Asegúrese de que la luz indicadora de COCCIÓN esté iluminada. La cocción iniciará en pocos momentos.
- 7 Cuando el agua en la Olla Arrocera se haya evaporado, el interruptor volverá a su lugar y la luz indicadora de Mantenimiento de Calor se encenderá. **NOTA:** puede ser necesario añadir mas agua y fijar la olla arrocera a Cocción (COOK) más de una vez dependiendo de su gusto personal.
- 8 Después de cocinar, la luz indicadora de Mantenimiento de Calor se iluminará. Para obtener los mejores resultados, dejar el arroz reposar por 10-15 minutos con el vapor sin remover la TAPA. Abra la TAPA cuidadosamente, teniendo cuidado de no dejar escapar el vapor. Use la Cuchara Arrocera, u otro utensilio de mango largo para mezclar bien el arroz y permitir que el vapor escape. **PRECAUCIÓN:** El vapor se escapará. No toque la Olla Interna o la unidad de calentamiento hasta que se hayan enfriado.
- 9 Deje que el aparato se enfríe completamente antes de limpiar.
- 10 Desconecte el enchufe del tomacorriente de pared cuando no esté en uso.

CONSEJOS DE COCINA

- Enjuague el arroz – la fibra despide un olor desagradable en el arroz cocido. Asegúrese de enjuagar el arroz completamente. El lavar con agua remueve efectivamente la fibra rápida y completamente.

NOTA: Algunos fabricantes de arroz sugieren no enjuagar el arroz debido a que las vitaminas pueden perderse.

- Después de usar, lave la OLLA INTERNA y la TAPA en agua tibia jabonosa.
- Enjuague completamente y seque.
- no mantenga la olla arrocera en operación:
 - Cuando sólo quede una cantidad pequeña de arroz en la OLLA.
 - Cuando la cuchara arrocera este dentro de la olla arrocera.
 - Para calentar arroz frío

* NO deje hervir el agua en la OLLA INTERNA hasta secarse.



Como usar su Bandeja para cocinar al Vapor

(algunos modelos solamente)

- 1 Limpie y prepare sus alimentos o vegetales.
- 2 Coloque la olla interna en la base. El tiempo de cocción a vapor está sujeto a su gusto personal: dependiendo de si prefiere sus vegetales a vapor al dente (crujiente) o más cocido.
- 3 Mida la cantidad correcta de agua y añádala a la OLLA INTERNA.
NOTA: Y Puede cocinar al vapor arroz y vegetales/alimentos al mismo tiempo con la BANDEJA PARA COCINAR AL VAPOR colocada sobre la OLLA INTERNA.
- 4 Coloque la BANDEJA PARA COCINAR AL VAPOR en el borde de la OLLA INTERNA.
- 5 Añada los vegetales o alimentos y coloque la TAPA sobre el artefacto. Encienda el interruptor a la posición de COCCIÓN por el tiempo recomendado como se muestra en la cartilla en la página 18.
- 6 Desconecte el enchufe del tomacorriente de pared.

VEGETAL	TIEMPO DE COCCIÓN
ESPÁRRAGOS	8 a 10 MINUTOS
BROTOS DE SOYA	3 a 4 MINUTOS
FRIJOLE: VERDES, DE CERA (WAX) O CORTADOS A LA FRANCESA	8 a 10 MINUTOS
BRÓCOLI	11 a 13 MINUTOS
COLES DE BRUSELAS	11 a 13 MINUTOS
COL, CORTADA EN TIRAS	6 a 8 MINUTOS
COL, CORTADA EN CUÑAS	14 a 16 MINUTOS
ZANAHORIA	8 a 10 MINUTOS
COLIFLOR	11 a 13 MINUTOS
APIO	8 a 12 MINUTOS
HOJAS VERDES, ESPINACA	6 a 11 MINUTOS
CHAMPIÑONES (FRESCOS EN TAJADAS)	3 a 4 MINUTOS
ALVERJITAS	4 a 6 MINUTOS
CALABAZA (ACORN O BUTTERNUT)	13 a 16 MINUTOS
CALABACÍN (ZUCCHINI)	10 a 12 MINUTOS

*La altura afecta la temperatura a la cual hierve el agua y por lo tanto el tiempo de cocción. Esto es especialmente válido en altas elevaciones donde se requieren largos tiempos de cocción. Le hemos indicado una guía general a seguir. Verifique que la consistencia es la deseada

cuando los tiempos de cocción indicados se hayan alcanzado. A medida que cocina con este aparato, adapte los tiempos y medidas a su gusto personal.

Cómo usar Su Bandeja para cocinar al Vapor mientras cocina arroz

- 1 Siga los pasos 1 a 4 en CÓMO USAR SU OLLA ARROCERA.
- 2 Coloque la BANDEJA PARA COCINAR AL VAPOR en el borde de la OLLA INTERNA
- 3 Añada la comida en la BANDEJA PARA COCINAR AL VAPOR y coloque la TAPA sobre el artefacto. Encienda el interruptor a la posición de COCCIÓN por el tiempo recomendado como se muestra en la cartilla. **NOTA:** Use la Guía de Tiempos de Cocción a Vapor para determinar cuando añadir la comida a la BANDEJA PARA COCINAR AL VAPOR. Si cocina 10 tazas de arroz le tomará aproximadamente 35 minutos. La mayoría de vegetales pueden añadirse como unos 10 minutos antes de que el arroz se termine de cocinar. Los tiempos de cocción del arroz pueden variar dependiendo del tipo de arroz que va a cocinar y del tipo de textura preferido. Ajuste el tiempo de cocción a vapor a su gusto.
- 4 Desconecte el enchufe del tomacorriente de pared.

¿Preguntas o comentarios? Por favor visítenos en www.oster.com o llame al 800-334-0759.





Garantía Limitada de 1 Año

Sunbeam Products, Inc. operando bajo el nombre de Jarden Consumer Solutions, o en Canadá, Sunbeam Corporation (Canada) Limited operando bajo el nombre de Jarden Consumer Solutions, (en forma conjunta, "JCS"), garantiza que por un periodo de un año a partir de la fecha de compra, este producto estará libre de defectos de materiales y mano de obra. JCS, a su elección, reparará o reemplazará este producto o cualquier componente del mismo que presente defectos durante el período de garantía. El reemplazo se realizará por un producto o componente nuevo o reparado. Si el producto ya no estuviera disponible, se lo reemplazará por un producto similar de valor igual o superior. Ésta es su garantía exclusiva. No intente reparar o ajustar ninguna función eléctrica o mecánica de este producto. Al hacerlo eliminará esta garantía.

La garantía es válida para el comprador minorista original a partir de la fecha de compra inicial y la misma no es transferible. Conserve el recibo de compra original. Para solicitar servicio en garantía se requiere presentar un recibo de compra. Los agentes y centros de servicio de JCS o las tiendas minoristas que venden productos de JCS no tienen derecho a alterar, modificar ni cambiar de ningún otro modo los términos y las condiciones de esta garantía.

Esta garantía no cubre el desgaste normal de las piezas ni los daños que se produzcan como resultado de uso negligente o mal uso del producto, uso de voltaje incorrecto o corriente inapropiada, uso contrario a las instrucciones operativas, y desarme, reparación o alteración por parte de un tercero ajeno a JCS o a un Centro de Servicio autorizado por JCS. Asimismo, la garantía no cubre actos fortuitos tales como incendios, inundaciones, huracanes y tornados.

¿Cuál es el límite de responsabilidad de JCS?

JCS no será responsable de daños incidentales o emergentes causados por el incumplimiento de alguna garantía o condición expresa, implícita o legal.

Excepto en la medida en que lo prohíba la ley aplicable, cualquier garantía o condición implícita de comerciabilidad o aptitud para un fin determinado se limita, en cuanto a su duración, al plazo de la garantía antes mencionada.

JCS queda exenta de toda otra garantías, condiciones o manifestaciones, expresa, implícita, legal o de cualquier otra naturaleza.

JCS no será responsable de ningún tipo de daño que resulte de la compra, uso o mal uso del producto, o por la imposibilidad de usar el producto, incluidos los daños incidentales, especiales, emergentes o similares, o la pérdida de ganancias, ni de ningún incumplimiento contractual, sea de una obligación esencial o de otra naturaleza, ni de ningún reclamo iniciado contra el comprador por un tercero.

Algunas provincias, estados o jurisdicciones no permiten la exclusión o limitación de los daños incidentales o emergentes ni las limitaciones a la duración de las garantías implícitas, de modo que es posible que la exclusión o las limitaciones antes mencionadas no se apliquen en su caso.

Esta garantía le otorga derechos legales específicos y es posible que usted tenga otros derechos que varían de un estado, provincia o jurisdicción a otro.

Cómo solicitar el servicio en garantía

En los Estados Unidos

Si tiene alguna pregunta sobre esta garantía o desea recibir servicio de garantía, llame al 1-800-334-0759 y podrá obtener la dirección del centro de servicio que le resulte más conveniente.

En Canadá

Si tiene alguna pregunta sobre esta garantía o desea recibir servicio de garantía, llame al 1-800-667-8623 y podrá obtener la dirección del centro de servicio que le resulte más conveniente.

En los Estados Unidos, esta garantía es ofrecida por Sunbeam Products, Inc. operando bajo el nombre de Jarden Consumer Solutions, Boca Ratón, Florida 33431. En Canadá, esta garantía es ofrecida por Sunbeam Corporation (Canada) Limited operando bajo el nombre de Jarden Consumer Solutions, 20 B Hereford Street, Brampton, Ontario L6Y 0M1. Si usted tiene otro problema o reclamo en conexión con este producto, por favor escriba al Departamento de Servicio al Consumidor.

POR FAVOR NO DEVUELVA ESTE PRODUCTO A NINGUNA DE ESTAS DIRECCIONES NI AL LUGAR DE COMPRA.

